



Raman Fiber Amplifier(1120nm-1700nm)

Based on Raman fiber amplifier technique, Precilasers can provide high power output for 1120-1700nm range.

Feature

- High Power
- Narrow Linewidth
- Good Beam Quality

Application

- Lidar
- Sensing



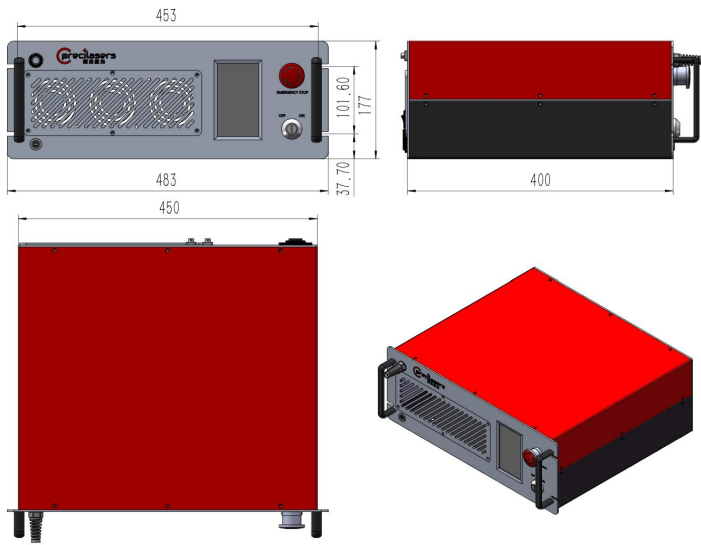
Specification			
Partnumber	FA-SF-X-Y-CW ⁽¹⁾		
Range	1120nm-1340nm	1340nm-1530nm	1600nm-1700nm
Output Power	>1W/8W/30W	>1W/5W/15W	>1W/5W
Typical wavelength	1315nm, 1389nm, 1651nm		
Bandwidth ⁽²⁾	>±5nm		
Residual Intensity noise	<1% (RMS, 10Hz-10MHz Integration)		
Power Stability	<0.75% @3hours, RMS		
Power Tuning Range	1-100%		
Output Mode	Single Mode PM Fiber with FC/APCconnector (Output Power≤5W) OR Collimated Output		
Beam Diameter	0.6±0.2mm		
Beam Quality	TEM ₀₀ , M ² <1.1		
Polarization	Linear, >23dB		
Seed Laser Input Power	>10mW ⁽³⁾		
Seed Laser Input Isolation	>25dB		
Output Laser Isolation	>25dB		
Cooling	Air Cooling/ Water Cooling		
Operating Environment & Power Supply			
Temperature	15-30 °C (Air Cooling) OR 15-35 °C (Water Cooling)		
Power Supply	100V-240V, AC, 50/60Hz		
Communication	RS422		

(1)X is the center wavelength, Y is the output power, if 15W 1340nm amplifier, the partnumber is FA-SF-1340-15-CW

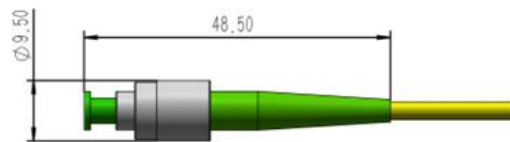
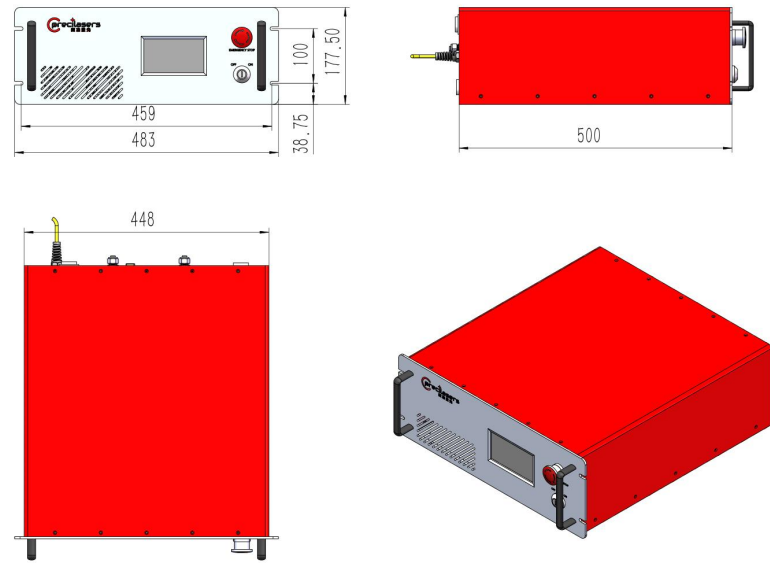
(2) Bandwidth can be customized

(3) Default input power should be 10-50mW, for higher or lower input power, please email us for customization

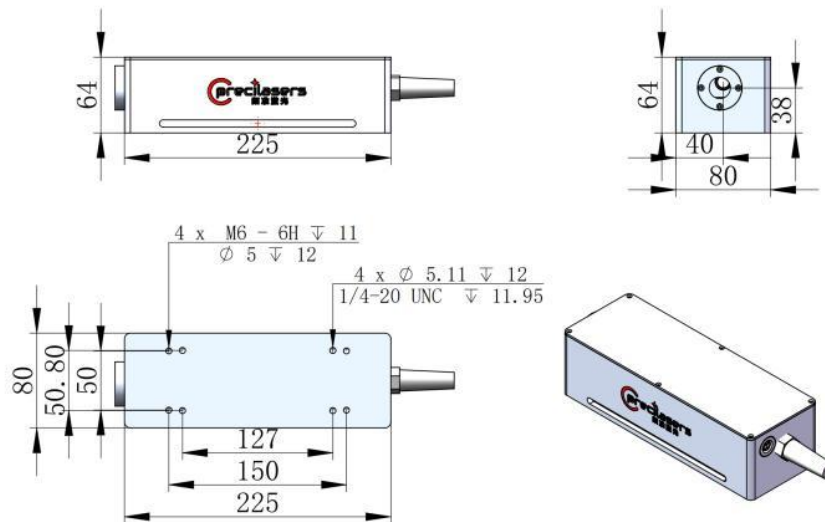
Air cooling controller size



Water cooling size



FC/APC connector (Power≤5W)



Laser head size



Shanghai Precilasers Technology Co., Ltd.
 Floor 2, Building 2, No. 1918, Xupan Road, Jiading
 District, Shanghai
 021-59160265

www.precilasers.com info@precilasers.com



⚠ Laser Hazard

Visible or invisible laser radiation, avoid eye or skin exposure to direct, reflected or filtered radiation.
CLASS 4 Laser Products

