

355-373nm Narrow Linewidth Laser

Based on high-power, low-noise Yb-doped fiber lasers amplifier and frequency doubling technology, Precilasers can provide high-power, narrow linewidth laser output with a wavelength ranging from 355 to 373 nm.



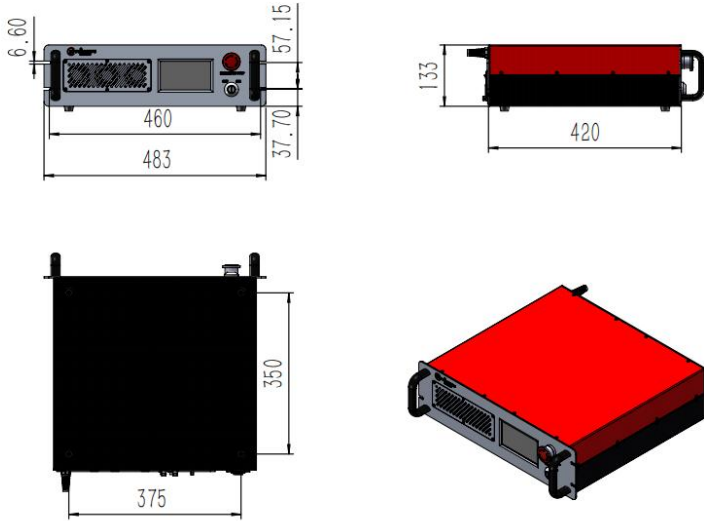
Features

- Narrow Linewidth
- Low RIN
- High Power
- Power Stability: $<0.75\%_{rms}$, 3hrs
- Excellent Beam Quality ($M^2 < 1.1$)
- Never Mode-hop
- High Temperature And Vibration Resistance

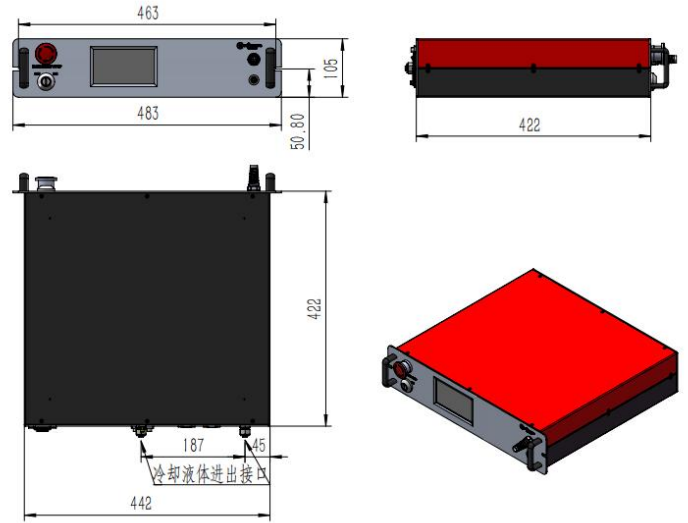
Applications

- Lithium Ion, Calcium Ion, Strontium Atom Cooling
- Quantum Simulation
- Bioscience
- Laser Spectrum
- Electromagnetic Induction Transparency

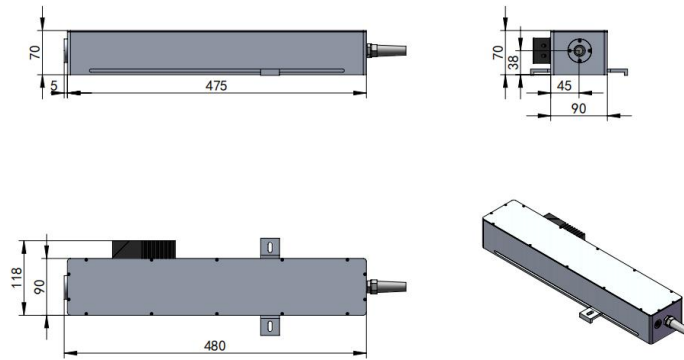
Air Cooling Control Unit Dimension



Water Cooling Control Unit Dimension



Laser Head Output Dimension



ShanghaiPrecilasersTechnologyCo.,Ltd.

📍 Floor2,Building2,No.1918,XupanRoad, JiadingDistrict, Shanghai

☎ 021-59160265

info@precilasers.com

www.precilasers.com



⚠ DANGER

VISIBLE AND INVISIBLE LASER RADIATION
AVOID EYE OR SKIN EXPOSURE TO
DIRECT OR SCATTERED RADIATION
CLASS 4 LASER PRODUCT