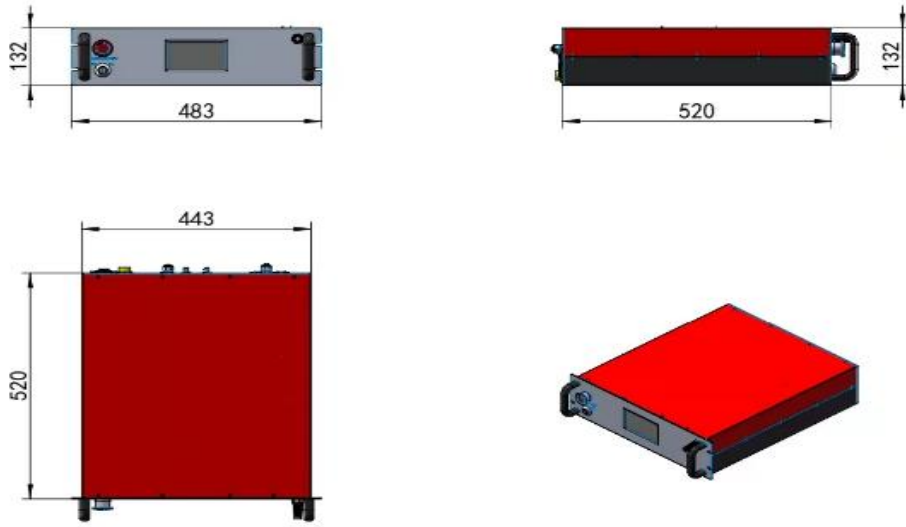


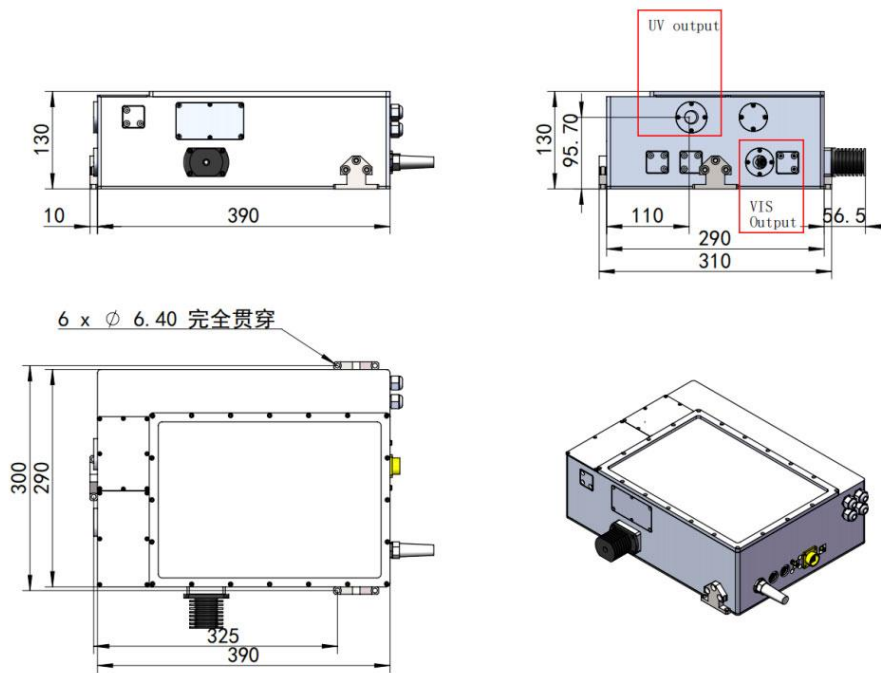


Specification			
Partnumber	FL-SF-X-Y-CW		
Wavelength Range	313nm-325nm, center wavelength can be selected		
Linewidth(100 us integration )	<40kHz		
Operational Mode	CW		
Output Power	>300mW	>1W	>2W
Beam Diameter	1±0.15 mm		
Beam Waist Location	output aperture±0.5m		
Beam Divergence (full angle)	<0.6mrad		
Beam Circularity	0.9-1.1		
Beam Pointing Stability (P-P)	<50μrad@3h		
Beam Quality	TEM00, M <sup>2</sup> <1.2		
Polarization	linear, Vertical, ±3°, >20dB		
Power Stability	<0.75% @3hours, RMS		
Relative Intensity Noise	<0.2%(RMS, 10Hz-10MHz integration)		
Cooling	Water cooling		
Warm-Up Time			
Cold Start	<2 hours		
Warm Start	<15 minutes		
Demension and Weight			
Controller Size	≤483mm x 520mm x 132mm		
Laser Head Size	≤390mm x 310mm x 130mm		
Chiller Size	≤58cm x 29cm x 52cm		
Laser Head Weight	≤18kg		
Controller Weight	≤20kg		
Chiller Weight	≤25kg		
Cable Length Between Laser And Controller	fiber length>1.5m		
Environment and Power Supply			
Operating Temperature (No condensing)	15-35 °C (water cooling)		
Power Supply	100V-240V, AC, 50/60Hz		
Power Consumption	<170W	<200W	<240W
Communication	RS422		

## Laser Controller



## Laser Head



Non-dismantle fiber length  $\geq 1.5\text{m}$  between controller and laser head



Shanghai Precilasers Technology Co., Ltd.  
Floor 2, Building 2, No. 1918, Xupan Road, Jiading  
District, Shanghai  
021-59160265

[info@Precilasers.com](mailto:info@Precilasers.com) | [www.Precilasers.com](http://www.Precilasers.com)



### ⚠ Laser Hazard

Visible or invisible laser radiation, avoid eye or skin exposure to direct, reflected or filtered radiation.  
**CLASS 4 Laser Products**