



578nm Narrow Linewidth Laser

Based on high-power, low-noise raman fiber lasers amplifier and frequency doubling technology, Precilasers can provide high-power, narrow linewidth laser output at 578nm



Features

- Narrow Linewidth
- Low RIN
- High Power
- Power Stability: $<0.75\%$ rms, 3hrs
- Excellent Beam Quality ($M^2 < 1.1$)
- Never Mode-hop
- High Temperature And Vibration Resistance

Applications

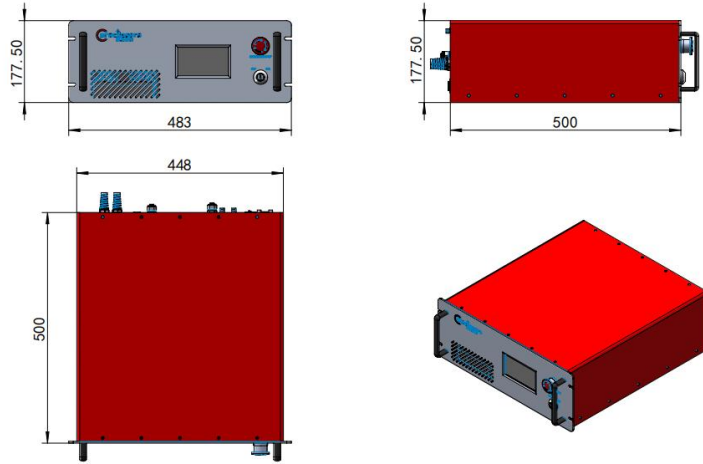
- Lithium Atom Cooling
- Quantum Simulation
- Bioscience
- Medical Beauty

Specification			
Partnumber	FL-SF-XXXX-YY-CW ⁽¹⁾		
Center Wavelength	578nm		
Operation Mode	CW		
Output Power	> 0.5W	> 2W	> 5W
Thermal Tuning Range	> 0.35nm, Never Mode-hop		
Output Mode	Free Space Output		
Beam Diameter	0.7-1.0mm		
Linewidth ⁽²⁾ (100us)	< 40kHz		
PER	> 20dB		
Fast Frequency Tuning Range	> 500MHz		
Fast Frequency Tuning Bandwidth	> 500kHz		
AOM Tuning Range (Optional)	> ±5MHz		
AOM Tuning Bandwidth (Optional)	> 500kHz		
Power Stability	< 0.75%		
Beam Quality	M ² < 1.1		
RIN (10Hz-100MHz, RMS)	< 0.1%		
Cooling	Water Cooling		
Operating Environment & Power Supply			
Temperature	15-30 °C (Air Cooling) or 15-35 °C (Water Cooling)		
Power Supply	100V-240V, AC, 50/60Hz		
Communication	RS422		

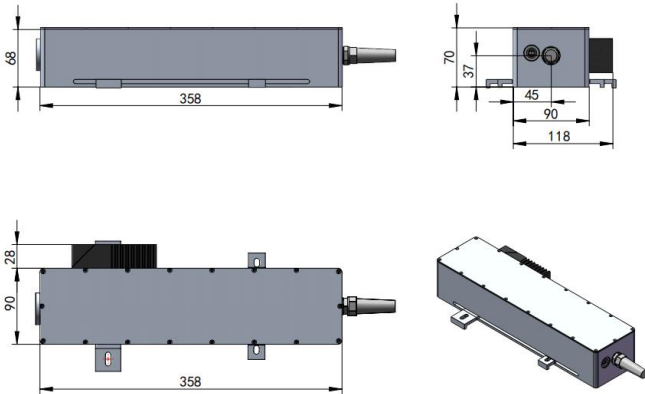
(1)XXXX is the laser center wavelength, YY is the laser power, for a 0.5W 578nm laser,the partnumberis FL-SF-578-0.5-CW

(2)Measured by self-hetrodyne method

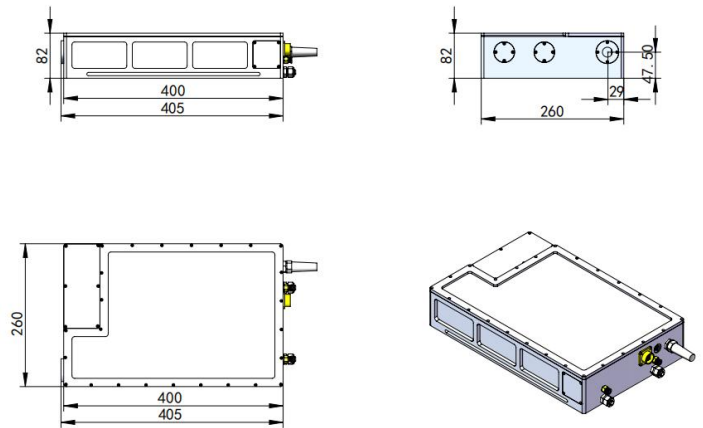
Water Cooling Control Unit Dimension



Laser Head Output Dimension (Output Power ≤ 2W)



Laser Head Output Dimension (Output Power > 2W)



ShanghaiPrecilasersTechnologyCo.,Ltd.

📍 Floor2,Building2,No.1918,XupanRoad, JiadingDistrict,Shanghai

☎ 021-59160265

info@precilasers.com

www.precilasers.com



⚠ DANGER

VISIBLE AND INVISIBLE LASER RADIATION
AVOID EYE OR SKIN EXPOSURE TO
DIRECT OR SCATTERED RADIATION
CLASS 4 LASER PRODUCT

