

355nm Narrow Linewidth Lasers

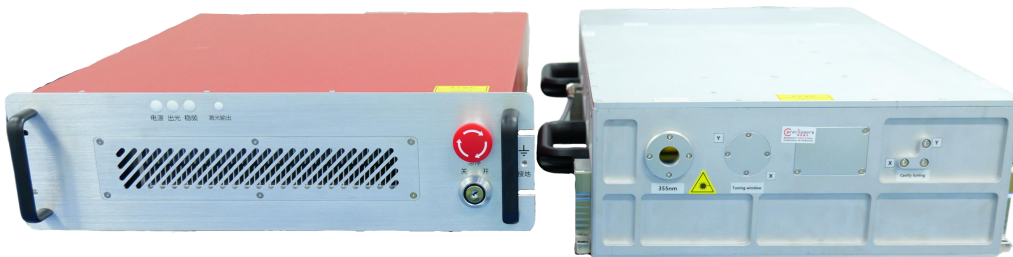
Based on single-frequency seed laser, fiber laser amplification and nonlinear frequency conversion technology, Precilasers can provide narrow linewidth 355nm narrow linewidth laser with a maximum output of 4W, high frequency stability, long life and excellent beam quality. This product has the characteristics of narrow linewidth, linear polarization and long life, and can be used for scientific research and advanced industrial applications.

Features

- Narrow Linewidth
- Resistant to High Temperature and Vibration Working Environment
- Excellent Beam Quality
- Never Mode-hop

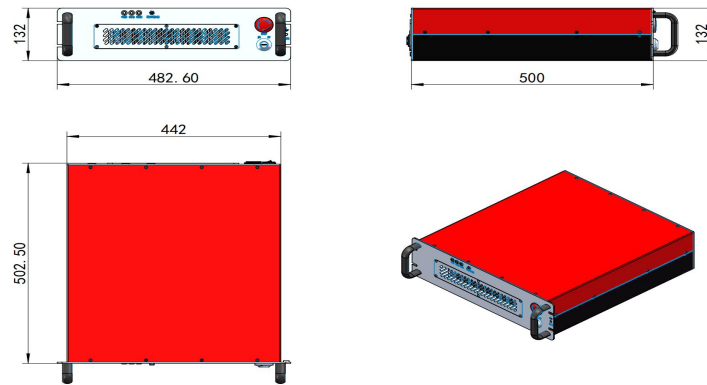
Applications

- Precision Measurement
- Interference Exposure

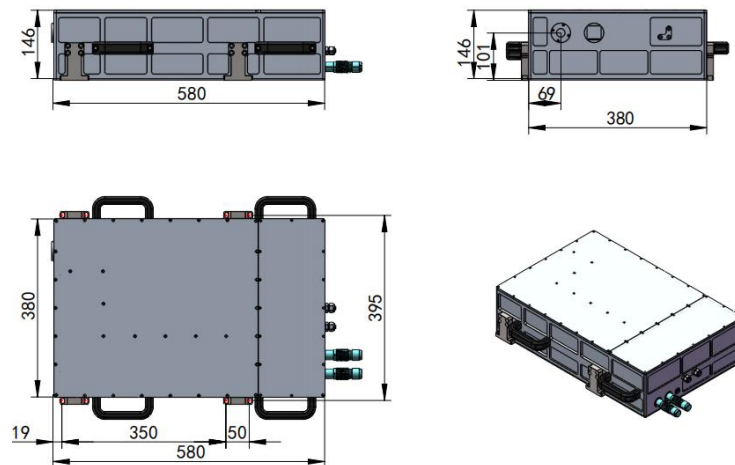


Specification			
Partnumber	FL-SF-355-X-CW		
Center Wavelength	355.00nm		
Linewidth (100 us integration)	<40kHz		
Operation Mode	Continuous		
Output Power	>500mW	>2W	>4W
Beam Waist Diameter	1±0.15 mm		
Beam Waist Location Relative to Output Window	Output window within ±0.5m		
Beam Divergence (Full Angle)	<1mrad		
Beam Ellipticity	0.9-1.1		
Pointing Stability (μrad)	<50μrad@3h		
Beam Quality	TEM ₀₀ , M ² <1.2		
Polarization	Linear, Vertical ±3°, >20dB		
Power Stability	<0.75% @3hours, RMS		
Relative Intensity Noise	<0.2%(RMS, 10Hz-10MHz integral)		
Cooling	Water Cooling		
Warm-up Time			
Cold Start	<2 Hour		
From Standby	<15 minute		
Dimensions & Weights			
Laser Controller Dimensions	≤483mm x 502mm x 132mm		
Laser Head Dimensions	≤380mm x580 mm x 146mm		
Chiller Dimensions	≤58cm x 29cm x 52cm		
Laser Head Weight	≤38kg		
Laser Controller Weight	≤25kg		
Chiller Weight	≤25kg		
Cable Length between Controller and Head	Photoelectric separation cable length > 5 meters (customizable)		
Operating Environment & Power Supply			
Temperature (No condensation conditions)	15-35 °C (Water Cooling)		
Power Supply	100V-240V, AC, 50/60Hz		
Power Consumption	<200W	<240W	<300W
Communication	RS422		

Laser Controller



Laser Head



The controller and output head are connected by a detachable cable, the cable length is > 5 meters



Shanghai Precilasers Technology Co., Ltd.
 Floor 2, Building 2, No. 1918, Xupan Road, Jiading District, Shanghai
 021-59160265

www.precilasers.com info@precilasers.com



⚠ Laser Hazard

Visible or invisible laser radiation, avoid eye or skin exposure to direct, reflected or filtered radiation.
CLASS 4 Laser Products

