

355nm Narrow Linewidth Lasers

Based on single frequency seed laser, fiber laser amplification and single pass frequency doubling technology, Precilasers can provide narrow linewidth 355nm laser with maximum output of 30mW, high frequency stability, long lifetime and excellent beam quality.

Features

- Narrow Linewidth
- Resistant to High Temperature and Vibration Working Environment
- Excellent Beam Quality
- Never Mode-hop

Applications

- Precision Measurement
- Interference Exposure



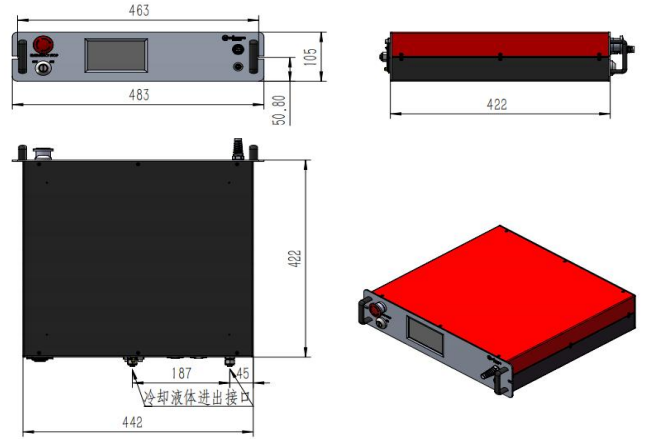
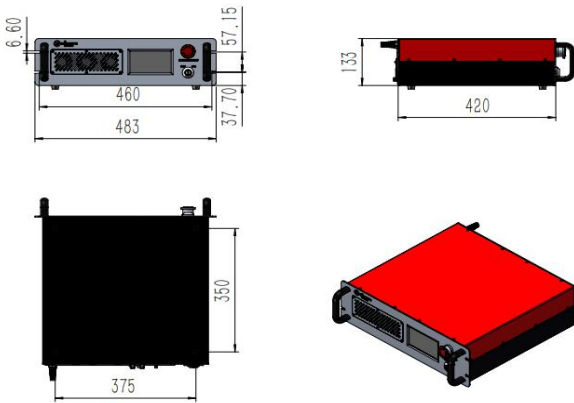
Specification		
Partnumber	FL-SF-355-X-CW	
Center Wavelength	355.00nm	
Linewidth (100 us integration)	<40kHz	
Operation Mode	Continuous	
Output Power	>20mW	>30mW
Beam Waist Diameter	1±0.15 mm	
Beam Waist Location Relative to Output Window	Output window within ±0.5m	
Beam Divergence (Full Angle)	<0.7mrad	
Beam Ellipticity	0.9-1.1	
Pointing Stability (μrad)	<10μrad@3h	
Beam Quality	TEM ₀₀ , M ² <1.1	
Polarization	Linear, Vertical±3°, >20dB	
Power Stability	<0.75% @3hours, RMS	
Relative Intensity Noise	<0.1%(RMS, 10Hz-10MHz integration)	
Cooling	Air Cooling/Water Cooling	
Warm-up Time		
Cold Start	<2 Hour	
From Standby	<10 minute	
Dimensions & Weights		
Laser Controller Dimensions	≤483mm x 420mm x 133mm (Air Cooling)	≤483mm x 422mm x 105mm (Water Cooling)
Laser Head Dimensions	≤475mm x 90mm x 70mm	
Chiller Dimensions	≤58cm x 29cm x 52cm	
Laser Head Weight	≤5kg	
Laser Controller Weight	≤22kg	
Chiller Weight	≤25kg	
Cable Length between Controller and Head	Non-detachable optical fiber length>1.5m	
Operating Environment & Power Supply		
Temperature (No condensation conditions)	15-30 °C (Air Cooling)	15-35 °C (Water Cooling)
Power Supply	100V-240V, AC, 50/60Hz	
Power Consumption	<120W	
Communication	RS422	

Air Cooling Version Dimensions

Water Cooling Version Dimensions

Laser Controller

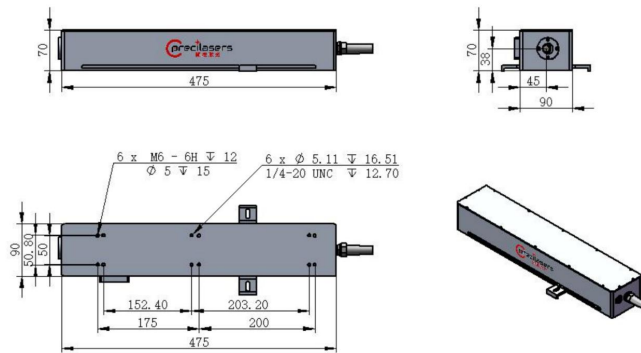
Laser Controller



Laser Head

Laser Head

Laser Head




The controller and the output head are connected by a non-detachable optical fiber, the length of the optical fiber is > 1.5 meters



Shanghai Precilasers Technology Co., Ltd.
 Floor 2, Building 2, No. 1918, Xupan Road, Jiading District, Shanghai
 021-59160265

www.precilasers.com info@precilasers.com



⚠ Laser Hazard

Visible or invisible laser radiation, avoid eye or skin exposure to direct, reflected or filtered radiation.

CLASS 4 Laser Products

