



Narrow linewidth laser (220-248nm)

Based on high-power, low-noise Yb-doped fiber lasers amplifier and frequency octupling technology, Precilasers can provide high-power, narrow linewidth laser output from 220 to 248 nm.

Features

- Narrow Linewidth
- Low RIN
- High Power
- Power Stability: $<0.75\%$ rms, 3hrs
- Excellent Beam Quality ($M^2 < 1.1$)
- Never Mode-hop
- High Temperature And Vibration Resistance

Applications

- Mercury Cooling



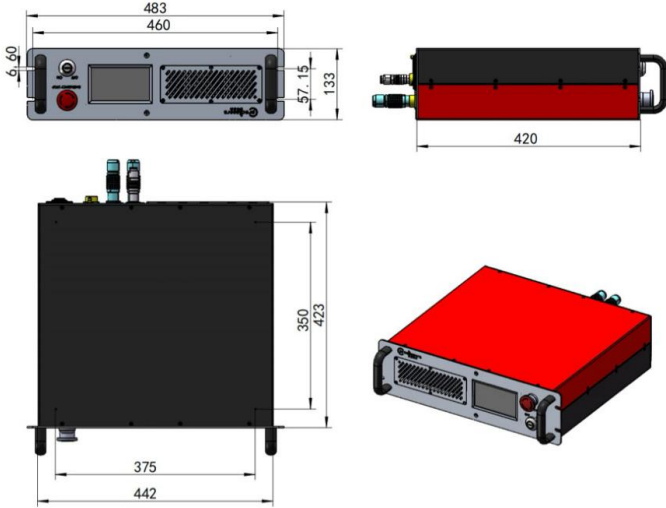
Specification			
Partnumber	FL-SF-XXXX-YY-CW ⁽¹⁾		
Wavelength Range	220-248nm		
Typical Wavelength	248nm		
Operation Mode	CW		
Output Power	> 0.01W	> 0.05W	> 0.1W
Thermal Tuning Range	> 0.125nm, Never Mode-hop		
Output Mode	Free Space Output		
Beam Diameter	1.0-1.2mm		
Linewidth ⁽²⁾ (100us)	< 80kHz		
PER	> 20dB		
Power Stability	< 1%@3hours, RMS		
Beam Quality	M ² < 1.5		
Fast Frequency Tuning Range	> 3GHz		
Fast Frequency Tuning Bandwidth	> 5kHz		
AOM Tuning Range (Optional)	> ±5MHz		
AOM Tuning Bandwidth (Optional)	> 500kHz		
Cooling	Air Cooling/Water Cooling		

Operation Environment & Power Supply	
Temperature	15-30 °C (Air Cooling) or 15-35 °C (Water Cooling)
Power Supply	100V-240V, AC, 50/60Hz
Communication	RS422

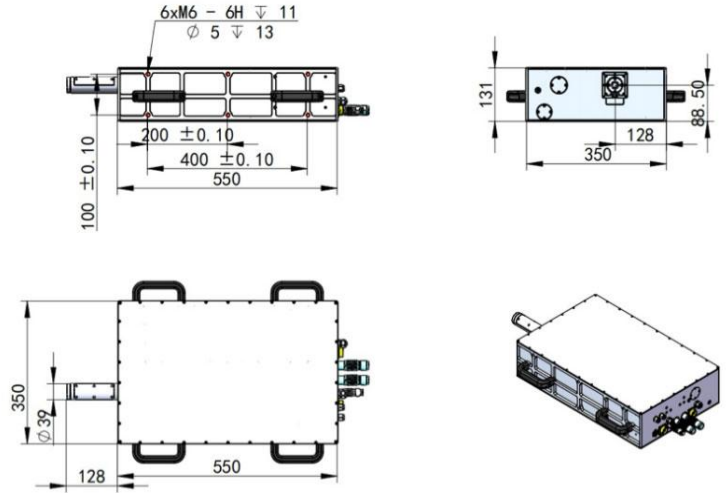
(1)XXXX is the laser center wavelength, YY is the laser power, for a 0.05W 248nm laser,the partnumberis FL-SF-248-0.05-CW

(2)Measured by self-hetrodyne method

Air Cooling Control Unit Dimension



Laser Head Output Dimension



ShanghaiPrecilasersTechnologyCo.,Ltd.

📍 Floor2,Building2,No.1918,XupanRoad, JiadingDistrict,Shanghai

☎ 021-59160265

info@precilasers.com

www.precilasers.com



⚠ DANGER

VISIBLE AND INVISIBLE LASER RADIATION
AVOID EYE OR SKIN EXPOSURE TO
DIRECT OR SCATTERED RADIATION
CLASS 4 LASER PRODUCT