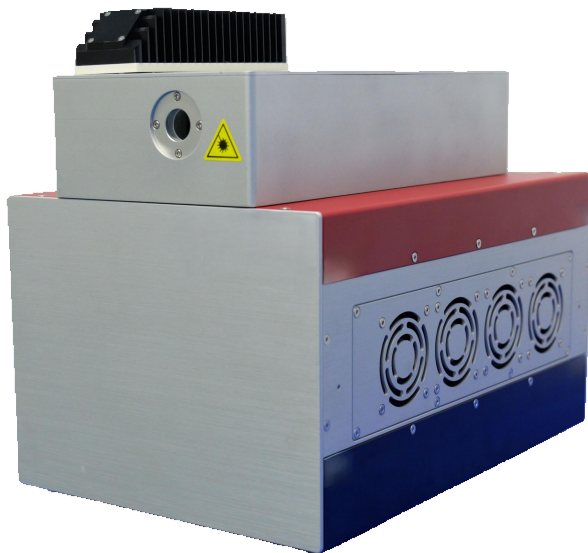


## 532nm Narrow Linewidth Laser

Based on single frequency seed laser, fiber laser amplification and high efficiency frequency conversion technology, Precilasers can provide narrow linewidth 532nm laser with maximum output of 8W, high frequency stability, long lifetime and excellent beam quality.



### Features

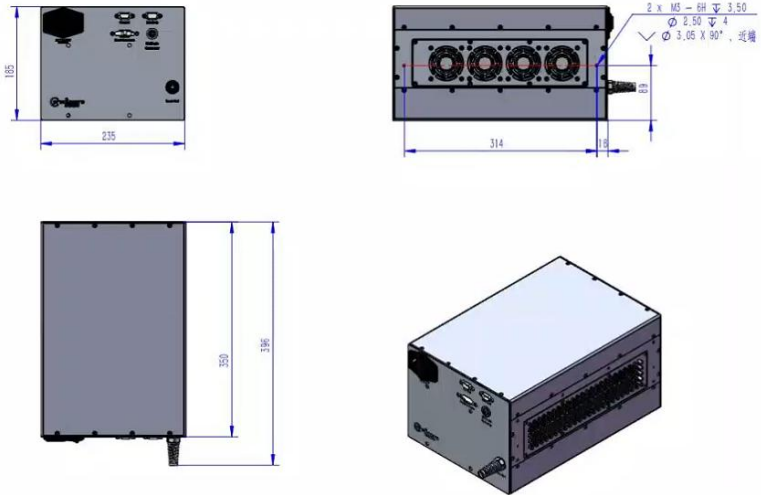
- High Frequency Stability
- High Power Stability
- Excellent Beam Quality
- Never Mode-hop

### Applications

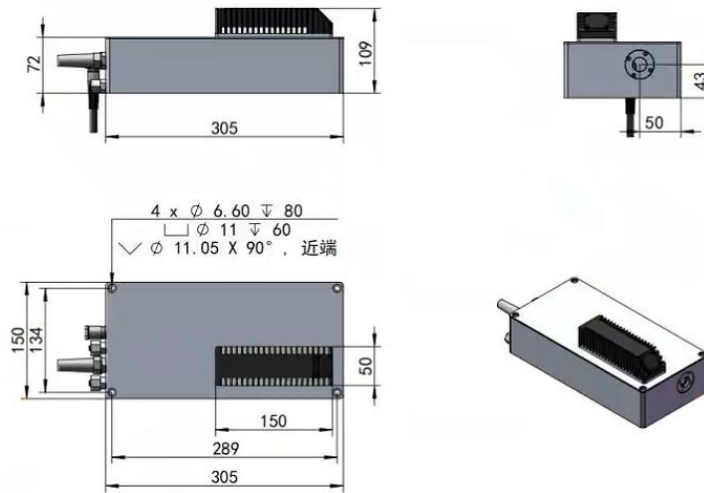
- Precision Measurement
- Wafer Inspection
- Interference Exposure

Specification	
Partnumber	FL-SF-532-X-CW
Center Wavelength	532nm
Linewidth(100 us integration)	<10kHz
Operation Mode	Continuous
Output Power	>8W
Beam Waist Diameter	2.3±0.15mm
Beam Waist Location Relative to Output Window (m)	Output window within ±1m
Beam Divergence (Full Angle)	<0.35mrad
Beam Ellipticity	0.9-1.1
Pointing Stability (μrad)	<15μrad@3h
Beam Quality	TEM <sub>00</sub> , M <sup>2</sup> <1.1
Polarization	>22dB
Power Stability	<2% @168hours, P-P
Relative Intensity Noise	<0.06% (RMS, 10Hz-10MHz integration)
Cooling	Air Cooling
Warm-up Time	
Cold Start	<30 minutes
From Standby	<15 minutes
Dimensions & Weights	
Laser Controller Dimensions	≤235mm x 350mm x 185mm
Laser Head Dimensions	≤150mm x 305mm x 109mm
Chiller Dimensions	≤6kg
Chiller Weight	≤15kg
Cable Length between Controller and Head	Non-detachable optical fiber length>1.5m
Operating Environment & Power Supply	
Temperature (No condensation conditions)	15-30 °C (Air Cooling)
Power Supply	100V-240V, AC, 50/60Hz
Power Consumption	<180W
Communication	RS422

### Laser Controller



### Laser Head



The controller and the output head are connected by a non-detachable optical fiber, the length of the optical fiber is > 1.5 meters