

355nm Broadband Laser

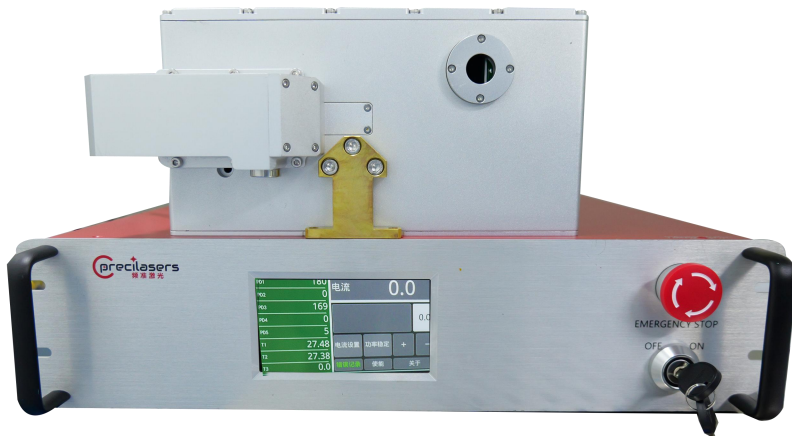
Based on non-single-frequency seed laser, fiber laser amplification and nonlinear frequency conversion technology, Precilasers can provide 355nm laser with a maximum output of 500mW, high frequency stability, long life and excellent beam quality. This product has the characteristics of narrow Linewidth, linear polarization and long life, and can be used for scientific research and advanced industrial applications.

Features

- Narrow Linewidth
- Resistant to High Temperature and Vibration Working Environment
- Excellent Beam Quality
- Never Mode-hop

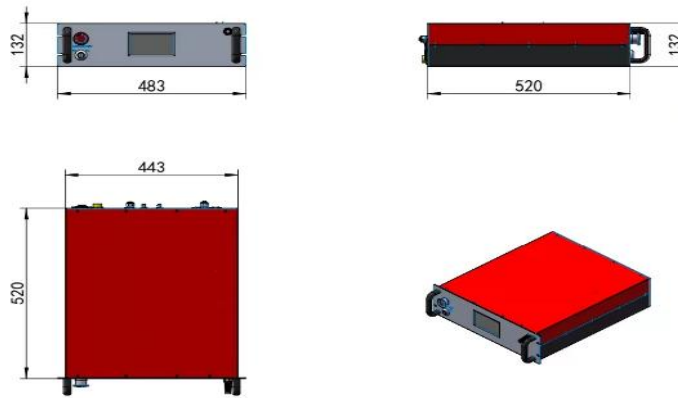
Applications

- Precision Measurement
- Interference Exposure

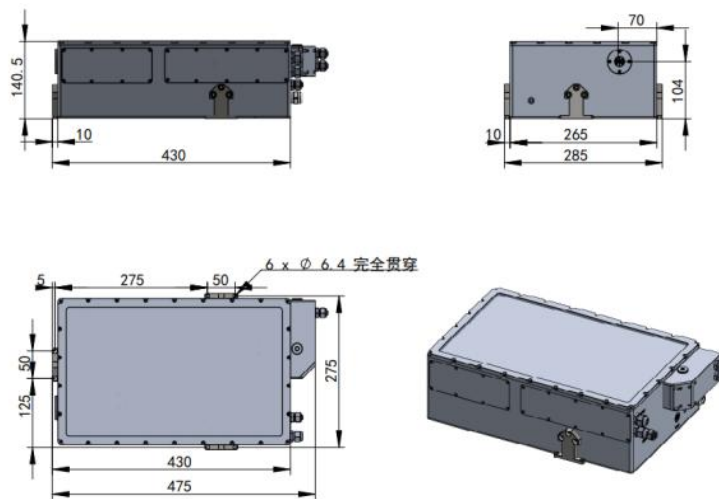


Specification	
Partnumber	FL-NSF-355-X-CW
Center Wavelength	355.00nm
Linewidth (100 us integration)	50-55GHz
Operation Mode	连续激光输出
Output Power	>500mW
Beam Waist Diameter	1±0.15 mm
Beam Waist Location Relative to Output Window (m)	输出窗口±0.5m内
Beam Divergence (Full Angle)	<0.7mrad
Beam Ellipticity	0.9-1.1
Pointing Stability (μrad)	<10μrad@3h
Beam Quality	TEM ₀₀ , M ² <1.2
Polarization	Linear, Vertical±3°, >20dB
Power Stability	<0.75% @3hours, RMS
Relative Intensity Noise	<0.2%(RMS, 10Hz-10MHz integration)
Cooling	Water Cooling
Warm-up Time	
Cold Start	<2 hours
From Standby	<15 minutes
Dimensions & Weights	
Laser Controller Dimensions	≤483mm x 520mm x 132mm
Laser Head Dimensions	≤475mm x285mm x 141mm
Chiller Dimensions	≤58cm x 29cm x 52cm
Laser Head Weight	≤20kg
Laser Controller Weight	≤20kg
Chiller Weight	≤25kg
Cable Length between Controller and Head	Non-detachable cable length > 7 meters (customizable)
Operating Environment & Power Supply	
Temperature (No condensation conditions)	15-35 °C (Water Cooling)
Power Supply	100V-240V, AC, 50/60Hz
Power Consumption	<1200W
Communication	RS422

Laser Controller



Laser Head



The controller and output head are connected by a non-detachable cable, the cable length is > 7 meters (customizable)



Shanghai Precilasers Technology Co., Ltd.
📍 Floor 2, Building 2, No. 1918, Xupan Road, Jiading District, Shanghai
☎ 021-59160265

www.precilasers.com info@precilasers.com



⚠ Laser Hazard

Visible or invisible laser radiation, avoid eye or skin exposure to direct, reflected or filtered radiation.
CLASS 4 Laser Products

