

266nm Solid-state Picosecond Laser

The solid-state laser-based solution achieves high repetition rate, high-power 266nm laser output, which is suitable for applications such as precision detection.

Features

- Narrow Pulse Width
- High Power
- Excellent Beam Quality
- High Power Stability

Features

- Atomic and Molecular Photophysics
- Quantum Computing
- Semiconductor Inspection



Specification			
Partnumber	PL-PS-266-xx ⁽¹⁾		
Center Wavelength	266nm ⁽²⁾		
Operation Mode	pulse		
Average Power	> 1W	> 3W	> 5W
Repetition Frequency	70MHz-100MHz ⁽³⁾		
Repetition Rate Lock Option	< 1mHz@24h		
Pulse Width ⁽⁴⁾	< 50ps @1064nm	< 20ps @1064nm	
Spectral Width ⁽⁴⁾	< 60pm @1064nm	< 100pm @1064nm	
Beam Waist Diameter	1.3-1.7mm		
Beam Divergence (Full Angle)	<0.3mrad		
Pointing Stability	<20urad/K		
Power Stability	<0.75% @3hrs, RMS		
Beam Quality	TEM ₀₀ , M ² <1.2		
Cooling	Water Cooling		

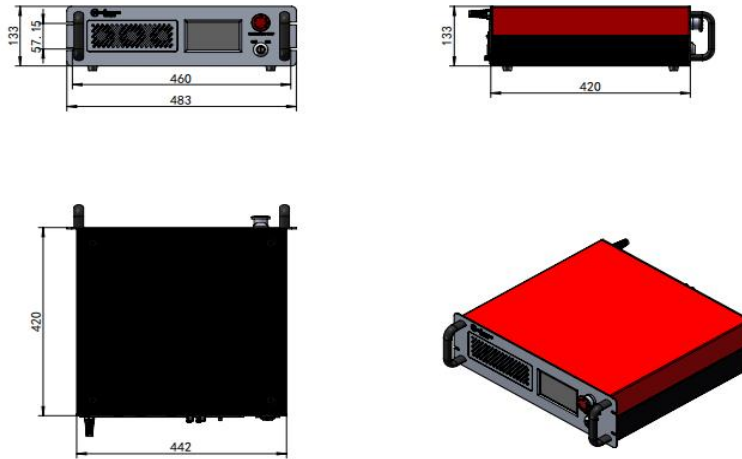
(1) XX laser power, in W, for example, output power 5W: PL-PS-266-5.

(2) Other central wavelengths can be customized

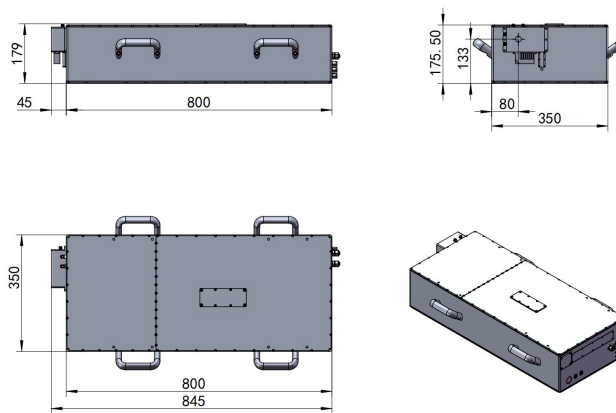
(3)(4) Repetition rate and pulse width can be customized

Other Parameters	
Temperature	15-35°C(No condensation conditions)
Power Supply	100V-240V, AC, 50/60Hz

❖ Product Dimensions



Laser Controller Dimensions



Laser Head