

## High Power Narrow Linewidth Green Laser

Based on single frequency seed laser, fiber laser amplification and high efficiency frequency conversion technology, Precilasers can provide narrow linewidth 532nm laser with high frequency stability, long lifetime and excellent beam quality.

### Features

- Long Life
- High Power
- Narrow Linewidth
- Excellent Beam Quality
- Never Mode-hop

### Applications

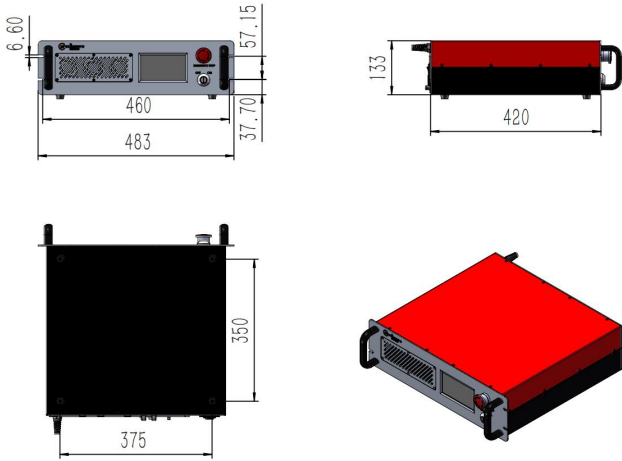
- Precision Measurement
- Interference Exposure



Specification				
Partnumber	FL-SF-X-Y <sup>(1)</sup> -CW			
Center Wavelength	532.00nm			
Linewidth <sup>(2)</sup> (100 us integration)	532nm, 520nm, 541nm			
Operation Mode	<50kHz			
Output Power	Continuous			
Beam Waist Diameter	> 20W	> 40W	> 60W	> 80W
Beam Waist Location Relative to Output Window (m)	0.8±0.2 mm			
Beam Divergence (Full Angle)	Output window within ±0.3m			
Beam Ellipticity	<0.8mrad			
Pointing Stability (μrad)	0.9-1.1			
Beam Quality	<50μrad			
Polarization	TEM <sub>00</sub> , M <sup>2</sup> <1.3			
Power Stability	Linear, Vertical±3°, >20dB			
Relative Intensity Noise	<0.75% @3hours, RMS			
Cooling	<0.1%(RMS, 10Hz-10MHz integration)			
Spectral Purity	>99.9%			
Cooling	Air Cooling/ Water Cooling	Water Cooling		
Warm-up Time				
Cold Start	<2 hours			
From Standby	<30 minutes			
From Crystal Shift	<2 minutes			
Dimensions & Weights				
Laser Head Dimensions	400mm x 320mm x 134.5mm			
Laser Controller Dimensions	483mm 420mm 133mm(Air Cooling) 483mm 422mm 105mm(Water Cooling)			
Chiller Dimensions	NA	≤580mm x 290mm x 520mm		
Cable Length between Controller and Head	>1.5m			
Operating Environment & Power Supply				
Temperature	15-30 °C	15-35 °C		
Power Supply	100V-240V, AC, 50/60Hz			
Communication	RS422			

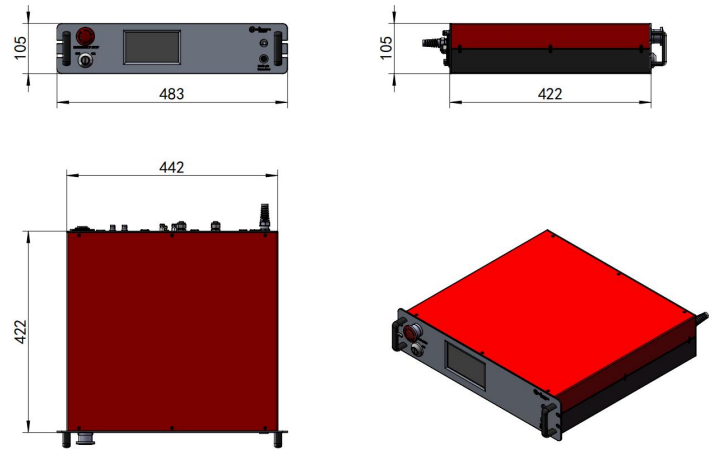
**Air Cooling Version Dimensions  
(Power:20W)**

Laser Controller

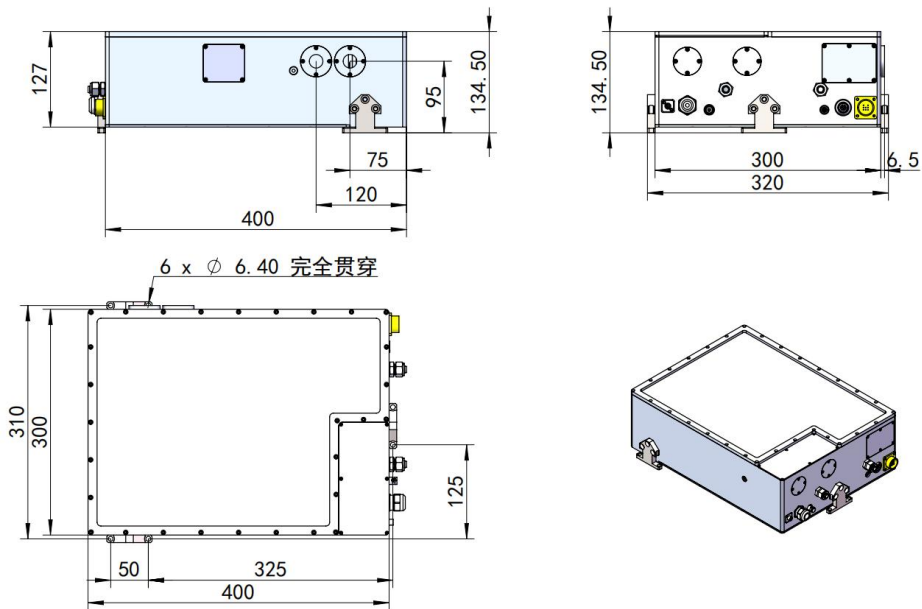


**Water Cooling Version Dimensions  
(Power:≥40W)**

Laser Controller




Laser Head



Shanghai Precilasers Technology Co., Ltd.  
 Floor 2, Building 2, No. 1918, Xupan Road, Jiading District, Shanghai  
 021-59160265

[www.precilasers.com](http://www.precilasers.com)    [info@precilasers.com](mailto:info@precilasers.com)



⚠ Laser Hazard

Visible or invisible laser radiation, avoid eye or skin exposure to direct, reflected or filtered radiation.  
**CLASS 4 Laser Products**

