

1064nm Single Frequency ns Laser

Precilasers offers high performance 1064nm narrow linewidth pulse fiber laser, it has very narrow linewidth, high pulse energy and high peak power. The laser can be used in non-linear frequency conversion, micromachining and spectroscopy application. The excellent beam quality and stability of the 1064nm pulse fiber laser ensure the accuracy and repeatability in material processing.

Features

- Compact Design
- Good Stability
- Excellent Beam Quality

Applications

- spectroscopy
- Precision Machining

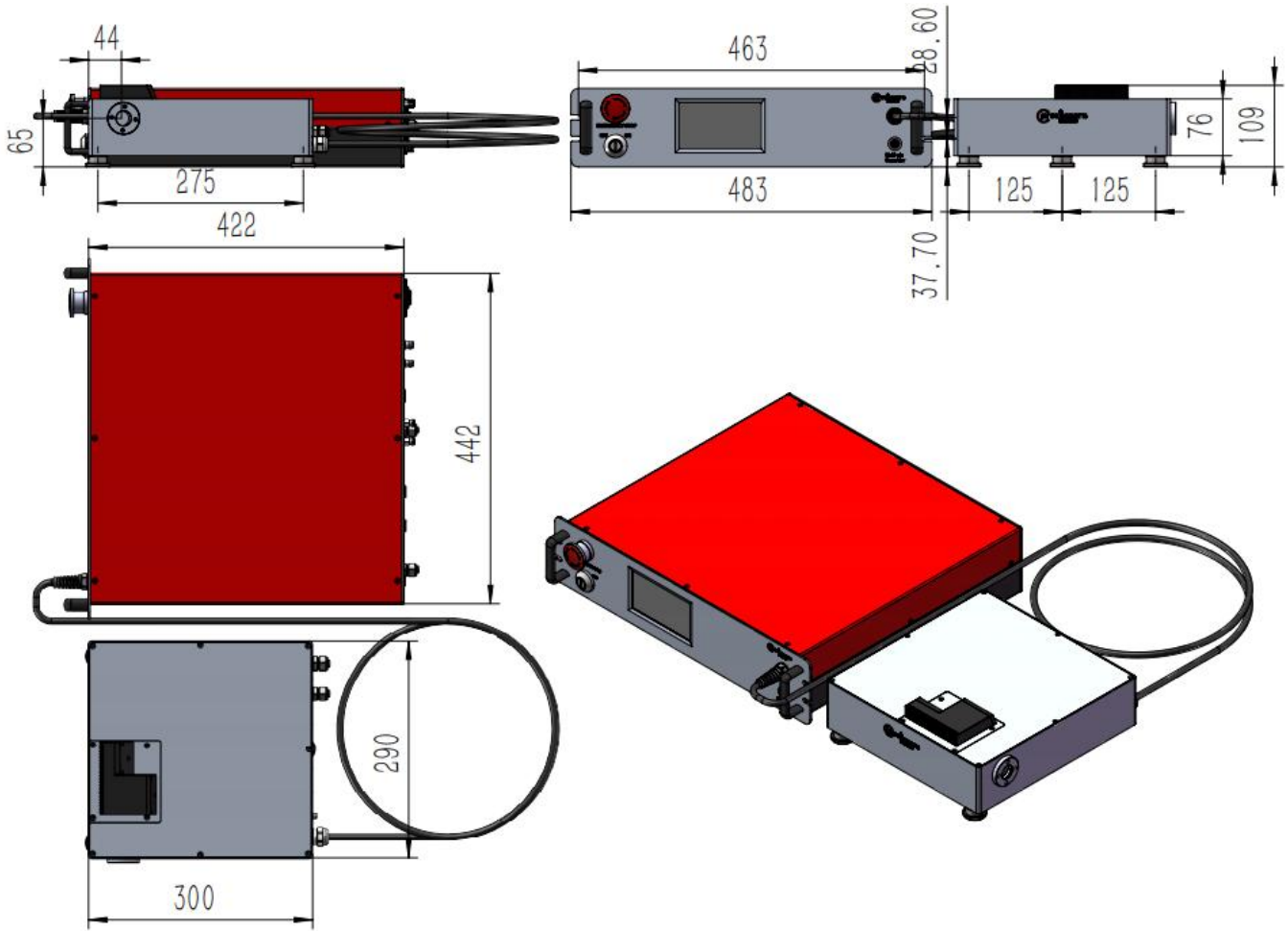


Specification		
Partnumber	FL-SF-NS-1064-x ⁽¹⁾	
Center Wavelength	1064.00nm	
Seed laser linewidth ⁽²⁾ (100 us integration)	<10kHz	
Operational Mode	pulse	
Beam Diameter	1.5-1.9mm	
Average Power	>0.2W	>0.5W
Repetition Rate	10-100kHz	10-100kHz
Peak Power	>2kW	>5kW
Pulse Width ⁽²⁾	10ns	
Pulse Energy	>20uJ@10kHz	>50uJ@10kHz
Polarization	>20dB	
Beam Quality	M ² <1. 2	M ² <1. 3
Beam Waist Location	output aperture±0.5m	
Beam Divergence (full angle)	<2mrad	
Beam Circularity	0.9-1.1	
Beam Pointing Stability (PP)	<10μrad	
Power Stability	<1% @3hours, RMS	
Cooling	Water cooling	
Warm-Up Time		
Cold Start	<30minutes	
Warm Start	<10 minutes	
Demension and Weight		
Controller Size	≤483mm x 422mm x 105mm	
Laser Head Size	≤300mm x 290mm x 76mm	
Chiller Size	≤58cm x 29cm x 52cm	
Laser Head Weight	≤10kg	
Laser Controller Weight	≤25kg	
Chiller Weight	≤25kg	
Cable Length Between Laser Head And Controller	>2m(can be custom made other length)	
Environment and Power Supply		
Operating Temperature (No condensing)	15-35 °C (water cooling)	
Power Supply	100V-240V, AC, 50/60Hz	
Communication	RS422	

(1)X indicates laser power,unit in W.For example output power is 50W, part number is FL-SF-NS-1064-150

(2)(3)pulse width and repetition rate can be custom made.

Product Dimension



Non-dismantle fiber length $\geq 2\text{m}$ between controller and laser head



Shanghai Precilasers Technology Co., Ltd.
Floor 2, Building 2, No. 1918, Xupan Road, Jiading
District, Shanghai
021-59160265

info@Precilasers.com | www.Precilasers.com



⚠ Laser Hazard

Visible or invisible laser radiation, avoid eye or skin exposure to direct, reflected or filtered radiation.
CLASS 4 Laser Products