

Ultra Stable Femtosecond Fiber Laser

Precilasers offers ultra stable femtosecond fiber laser with narrow pulse width, large spectral width, high repetition rate and high coherent laser pulse output. It also has features of stable, long life and excellent beam quality (single mode output), can meet the strict requirement of optical frequency comb and other cutting edge applications.

Features

- Narrow pulse width, large spectral width
- Robust
- Good Beam Quality
- Linear Polarization
- High Power Stability

Applications

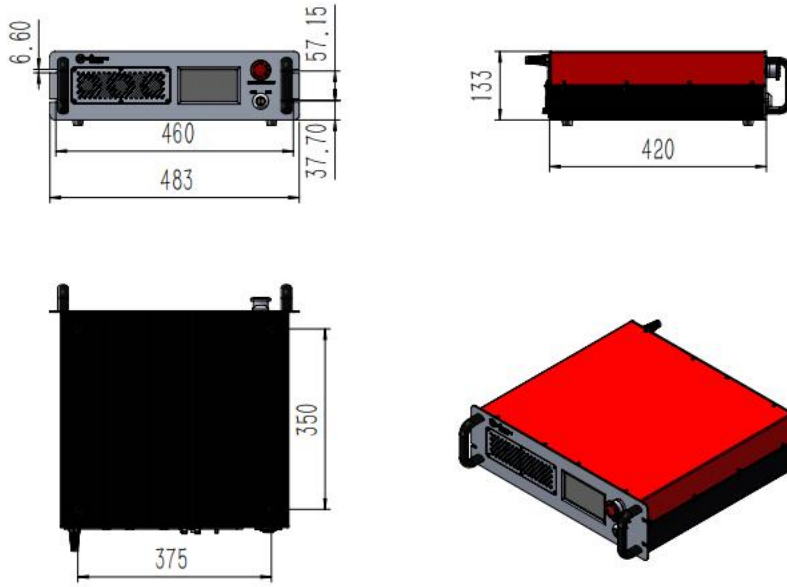
- Quantum Information
- Ultr Fast Imaging
- Precision Measurement
- Optical Frequency Comb



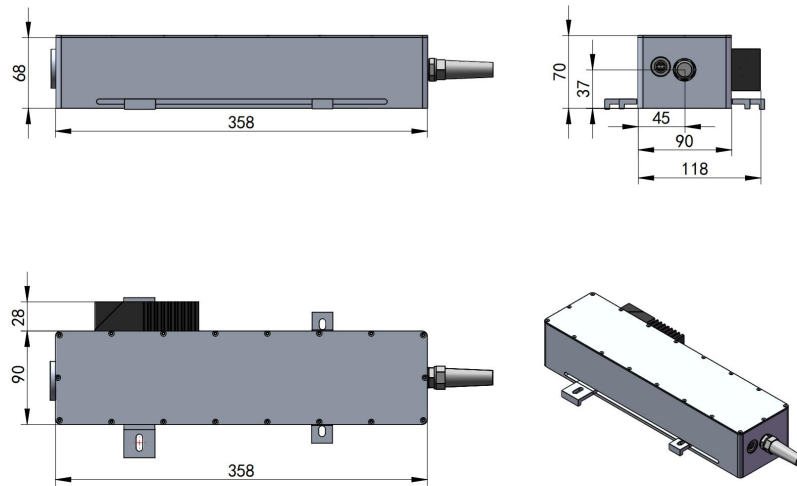
Specification				
Partnumber	FL-FS-780 ⁽¹⁾ -0.1			
Center Wavelength	780nm			
Operational Mode	pulse			
Pulse Width	<200fs			
Pulse Energy	0.1-10nJ			
Average Power	> 100mW	> 300mW	> 1W	
Max. Peak Power	≤50kW			
Repetition Rate	40MHz-140MHz			
Polarization	linear, > 20dB			
Power Stability	<1% @3hours, RMS			
Beam Quality	TEM ₀₀ , M ² <1.1			
Output Mode	Free space collimated output			
Cooling	Air cooling			
Warm-Up Time				
Cold Start	<2 hours			
Warm Start	<30 minutes			
Demension and Weight				
Controller Size	≤483mm x 420mm x 133mm			
Laser Head Size	≤90mm x 358mm x 68mm			
Laser Head Weight	≤20kg			
Laser Controller Weight	≤20kg			
Cable Length Between Laser Head And Controller	>1.5m			
Environment and Power Supply				
Operating Temperature (No condensing)	15-30 °C (Air cooling)			
Power Supply	100V-240V, AC, 50/60Hz			
Power Consumption	<240W	<240W	<240W	<240W
Communication	RS422			

Product Dimension

Laser Controller



Laser Head



Non-dismantle fiber length $\geq 2\text{m}$ between controller and laser head



Shanghai Precilasers Technology Co., Ltd.
Floor 2, Building 2, No. 1918, Xupan Road, Jiading
District, Shanghai
021-59160265

info@Precilasers.com | www.Precilasers.com



⚠ Laser Hazard

Visible or invisible laser radiation, avoid eye or skin exposure to direct, reflected or filtered radiation.
CLASS 4 Laser Products