

Ultra Stable Femtosecond Fiber Laser

Precilasers offers ultra stable femtosecond fiber laser with narrow pulse width, large spectral width, high repetition rate and high coherent laser pulse output. It also has features of stable, long life and excellent beam quality (single mode output), can meet the strict requirement of optical frequency comb and other cutting edge applications.

Features

- Narrow Pulse Width, Large Spectral Width
- Robust
- Good Beam Quality
- Linear Polarization
- High Power Stability

Applications

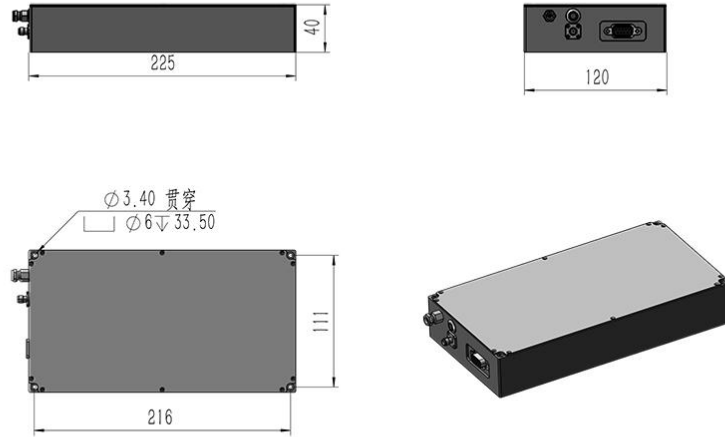
- Quantum Information
- Ultr Fast Imaging
- Precision Measurement
- Optical Frequency Comb



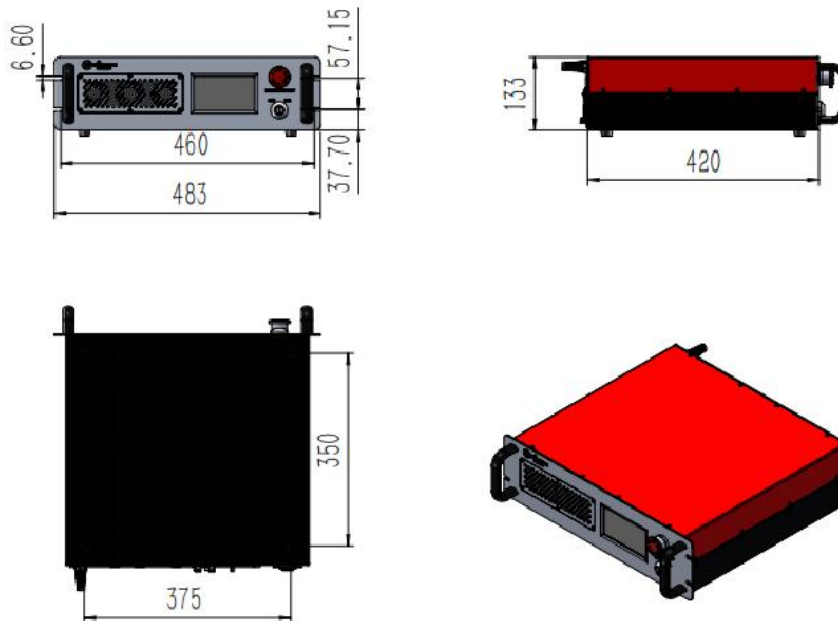
Specification			
Partnumber	FL-FS-1560-S		
Center Wavelength	1560nm-1590nm		
Spectral Width	20nm-80nm	20nm-80nm	20nm
Operational Mode	pulse		
Pulse Width	<100fs	<100fs	<200fs
Pulse Energy	>0.05nJ	>0.5nJ	> 30nJ
Average Power	>6mW	60mW-200mW	3W-5W
Max. Peak Power	> 500W	> 5kW	> 150kW
Repetition Rate	40MHz-140MHz		
Polarization	linear, > 20dB		
Power Stability	<1% @3hours, RMS		
Beam Quality	TEM ₀₀ , M ² <1.1		
Output Mode	Fiber Jumper	Fiber Jumper	Collimated output
Cooling	Air cooling		
Warm-Up Time			
Cold Start	<2 hours		
Warm Start	<30 minutes		
Demension and Weight			
Laser Size	≤225mm x 120mm x 40mm		≤483mm x 420mm x 133mm
Laser Weight	≤2kg	≤2kg	≤20kg
Environment and Power Supply			
Operating Temperature (No condensing)	15-30 °C (Air cooling)		
Power Supply	12VDC/5A	12VDC/5A	100V-240V, AC, 50/60Hz
Power Consumption	<240W		
Communication	RS422		

Product Dimension

Laser (<200mW)



Laser (>3W)



Shanghai Precilasers Technology Co., Ltd.
Floor 2, Building 2, No. 1918, Xupan Road, Jiading
District, Shanghai
021-59160265

info@Precilasers.com | www.Precilasers.com



⚠ Laser Hazard

Visible or invisible laser radiation, avoid eye or skin exposure to direct, reflected or filtered radiation.
CLASS 4 Laser Products