

532nm Solid-state Picosecond Laser

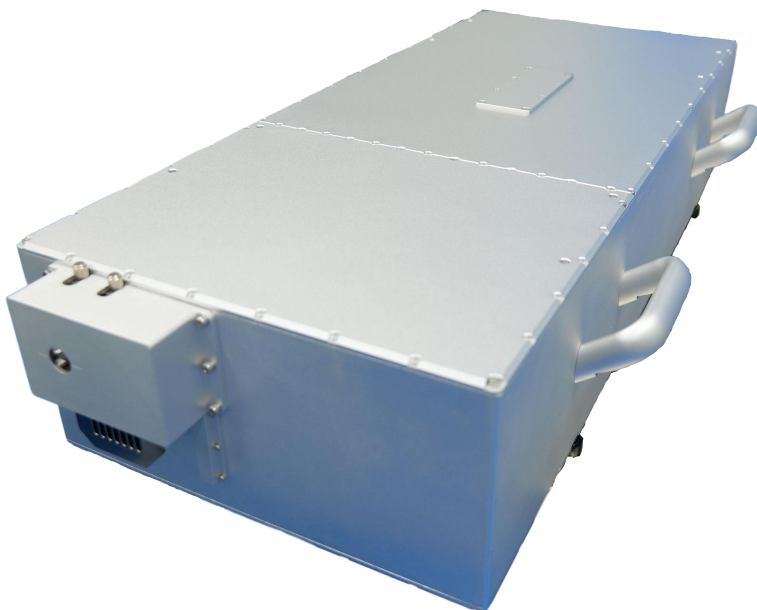
The solid-state laser-based solution achieves high repetition rate, high power 532nm laser output, which is suitable for applications such as precision detection.

Features

- Narrow Pulse Width
- High Power
- Excellent Beam Quality
- High Power Stability

Applications

- Atomic and Molecular Photophysics
- Precision Measurement



Specification		
Partnumber	PL-PS-532-xx ⁽¹⁾	
Center Wavelength	532nm ⁽²⁾	
Operation Mode	pulse	
Average Power	>20W	>40W
Repetition Frequency	70MHz-100MHz ⁽³⁾	
Repetition Rate Lock Option	< 1mHz@24h	
Pulse Width ⁽⁴⁾	<50ps @1064nm	<20ps @1064nm
Spectral Width ⁽⁴⁾	<60pm @1064nm	<100pm @1064nm
Beam Waist Diameter	0.8-1.2mm	
Beam Divergence (Full Angle)	<1mrad	
Pointing Stability	<20urad/K	
Power Stability	<0.5% @3hrs, RMS	
Beam Quality	TEM ₀₀ , M ² <1.2	
Cooling	Water Cooling	

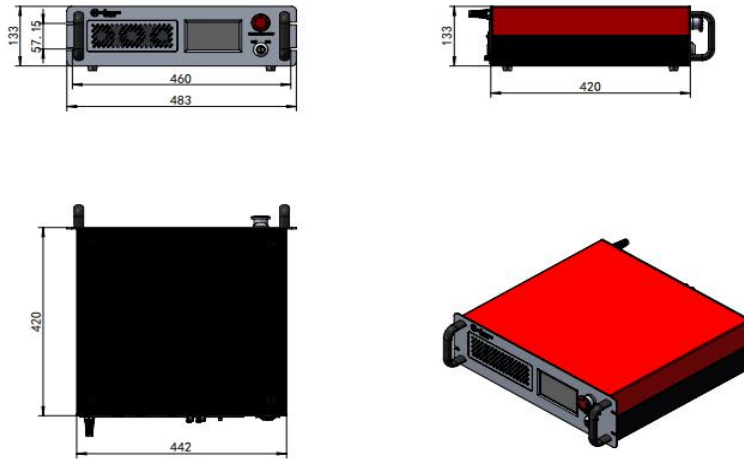
(1) XX laser power, in W, for example, output power 30W: PL-PS-532-30.

(2) Other central wavelengths can be customized

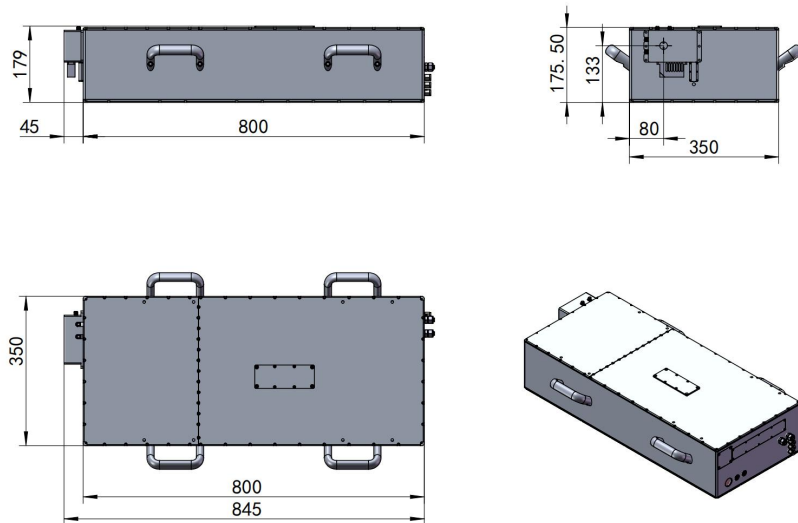
(3)(4) Repetition rate and pulse width can be customized

Other Parameters	
Temperature	15-35°C(No condensation conditions)
Power Supply	100V-240V AC, 50/60Hz

❖ Product Dimensions



Product Dimensions



Laser Head