

266nm Narrow Linewidth Lasers

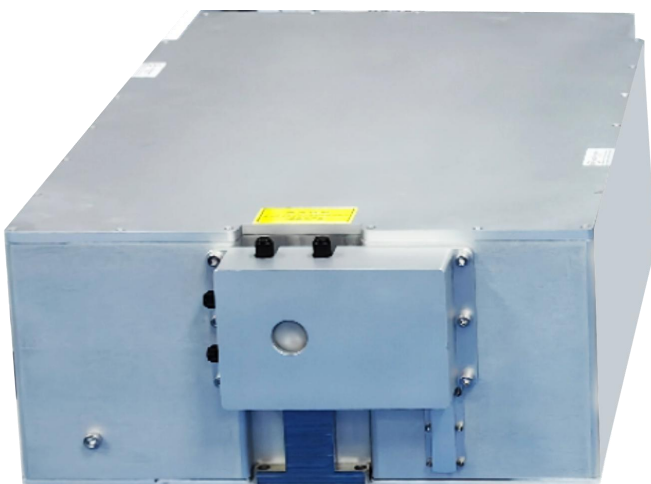
Based on single-frequency seed laser, fiber laser amplification and high-efficiency frequency conversion technology, Precilasers can provide narrow linewidth lasers of 266nm with a maximum output of 1W, high frequency stability, long lifetime and excellent beam quality.

Features

- Long Life
- High Power
- Narrow Linewidth
- Excellent Beam Quality
- Never Mode-hop

Applications

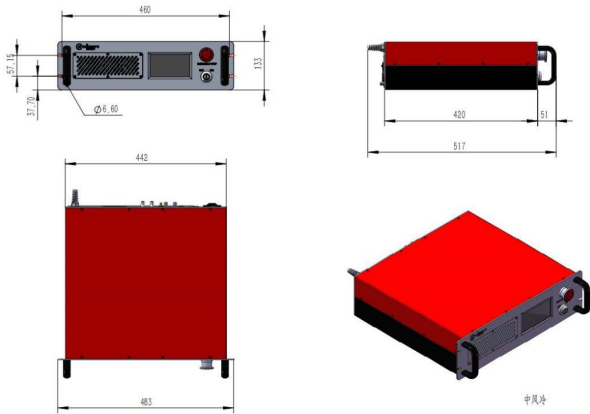
- Precision Measurement
- Semiconductor Inspection



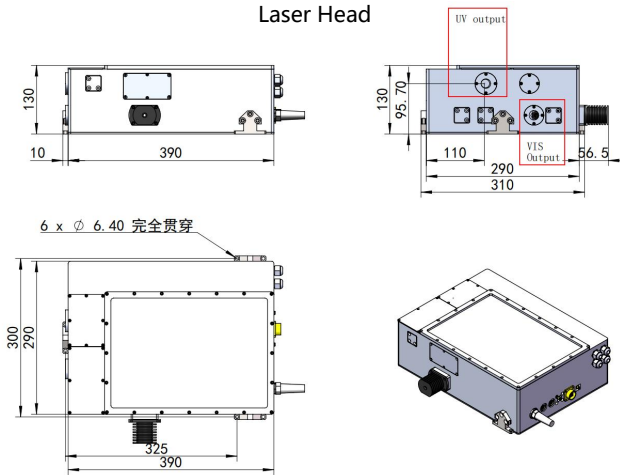
Specification				
Partnumber	FL-SF-266-X-CW			
Center Wavelength	266.00nm			
Linewidth ⁽²⁾ (100 us integration)	<50kHz			
Operation Mode	Continuous			
Output Power	>30mW	>100mW	>500mW	>1W
Beam Waist Diameter	1±0.15 mm			
Beam Waist Location Relative to Output Window (m)	Front bezel ±5m of Rayleigh Range			
Beam Divergence (Full Angle)	<0.5mrad			
Ellipticity	0.9-1.1			
Pointing Stability (μrad)	<50μrad@3h			
Beam Quality	TEM ₀₀ , M ² <1.3			
Polarization	Linear, Vertical ±3°, >20dB			
Power Stability	<1% @3hours, RMS			
Relative Intensity Noise	<0.2%(RMS, 10Hz-10MHz integration)			
Cooling	Air Cooling/Water cooling		Water cooling	
Warm-up Time				
Cold Start	<2 hours			
From Standby	<15minutes			
Dimensions & Weights				
Laser Head Dimensions	≤460mm x 420mm x 133mm (30mW,100mW)		≤483mm x 304mm x 133mm (500mW,1W)	
Laser Controller Dimensions	≤390mm x 310mm x 130mm (30mW,100mW)		≤300mm x 530mm x 139mm (500mW,1W)	
Chiller Dimensions	≤58cm x 29cm x 52cm			
Laser Head Weight	≤20kg		≤25kg	
Laser Controller Weight	≤25kg			
Chiller Weight	≤25kg			
Cable Length between Controller and Head	Non-detachable optical fiber length>1.5m		Detachable cable length > 5m	
Operating Environment & Power Supply				
Temperature (No condensation conditions)	15-30 °C (Air Cooling)		15-35 °C (Water cooling)	
Power Supply	100V-240V, AC, 50/60Hz			
Power Consumption	<120W	<120W	<130W	<140W
Communication	RS422			

**Air Cooling Version Dimensions
(Power: 30mW & 100mW)**

Laser Controller



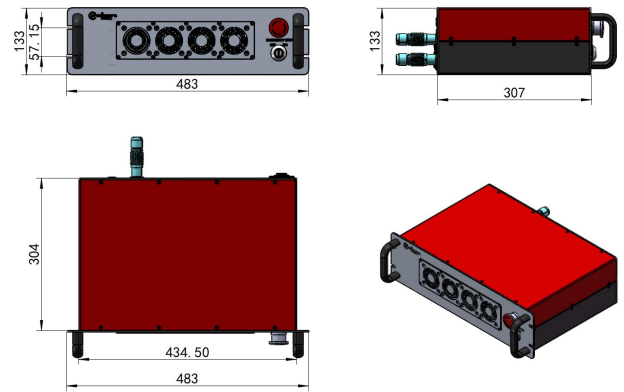
Laser Head



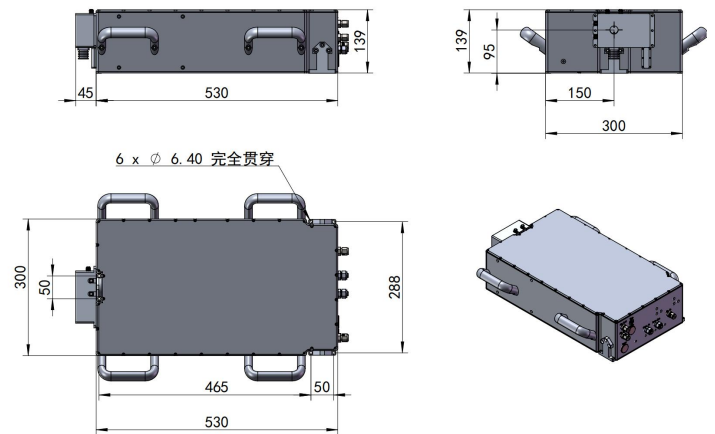
The controller and the output head are connected by a non-detachable optical fiber, the length of the optical fiber is > 1.5 meters

**Water Cooling Version Dimensions
(Power: 500mW & 1W)**

Laser Controller



Laser Head



The controller and output head are connected by a detachable cable, the cable length is > 5 meters



Shanghai Precilasers Technology Co., Ltd.
 Floor 2, Building 2, No. 1918, Xupan Road, Jiading District, Shanghai
 021-59160265

www.precilasers.com info@precilasers.com



⚠ Laser Hazard

Visible or invisible laser radiation, avoid eye or skin exposure to direct, reflected or filtered radiation.
CLASS 4 Laser Products

