



## Ytterbium-doped Fiber Amplifier(1012nm-1022nm)

Based on Ytterbium-doped fiber amplifier technique, Precilasers can provide high power and low noise amplifier in 1012nm-1022nm range.

### Features

- Low Intensity Noise
- Low Phase Noise
- Good Beam Quality

### Application

- Rb atom Rydberg



## Specification

Partnumber	FA-SF-1013-Y-CW <sup>(1)</sup>	
Range	1012.5nm-1022.5nm	1012.00nm-1014.00nm
Output Power	>0.1W/2W/10W/20W	>40W/80W/100W
Residual Intensity noise	<0.05% (RMS, 10Hz-10MHz integration)	
Power Stability	<0.75% @3hours, RMS	
Power Tuning Range	1-100%	
Output Mode <sup>(2)</sup>	Single Mode PM Fiber with FC/APCconnector (Output Power≤2W) 0.6±0.2mm(Output Power≤30W) 1.7±0.2mm(Output Power>30W)	
Beam Quality	TEM <sub>00</sub> , M <sup>2</sup> <1.1	
Polarization	Linear, >23dB	
Seed Laser Input Power	≥10mW <sup>(3)</sup>	
Seed Laser Input Isolation	>25dB	
Output Laser Isolation	>25dB	
Cooling	Air Cooling(Output Power≤20W)/Water Cooling (All Output Power)	

## Operating Environment & Power Supply

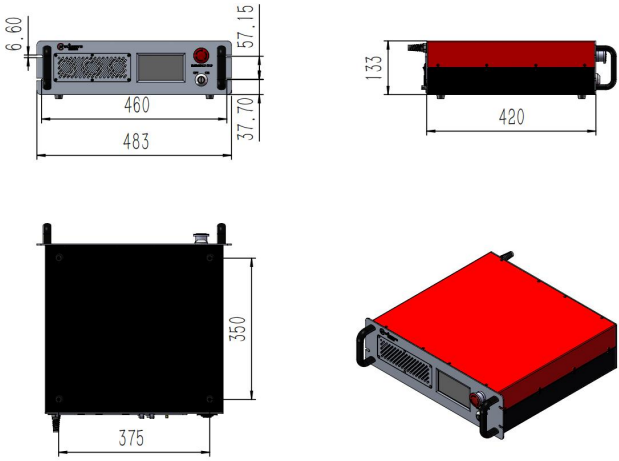
Temperature	15-30 °C (Air Cooling) OR 15-35 °C (Water Cooling)	
Power Supply	100V-240V, AC, 50/60Hz	
Communication	RS422	

(1) Y is the output power, for 1013nm, 100W amplifier, the partnumber is FA-SF-1013-100-CW.

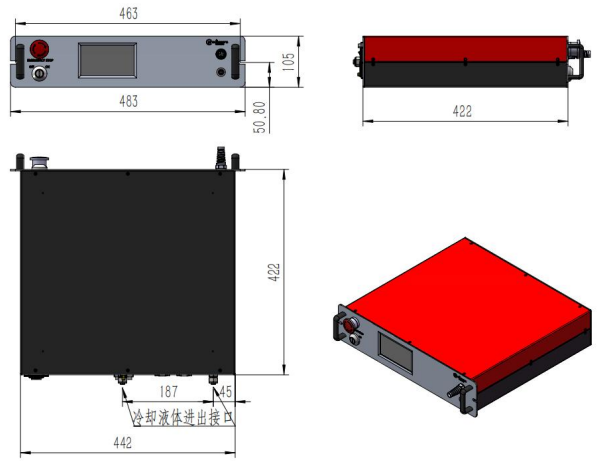
(2) Beam size for collimated outout, If PM fiber FC/APC connector output, there is no extra collimator

(3) Default input power should be 10-50mW, for higher or lower input power, please email us for customization

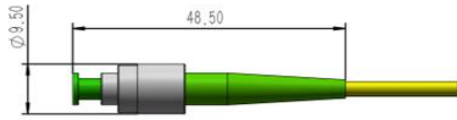
**Air cooling controller size  
(Output power≤50W)**



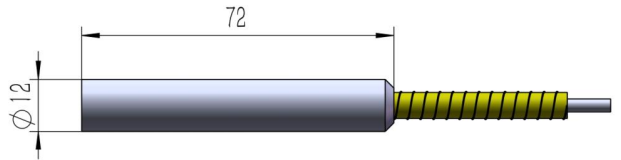
**Water cooling size  
(For all power)**



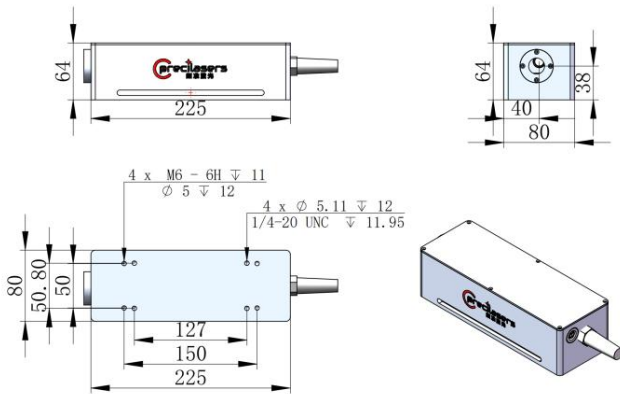
**FC/APC connector (Output power≤2W)**



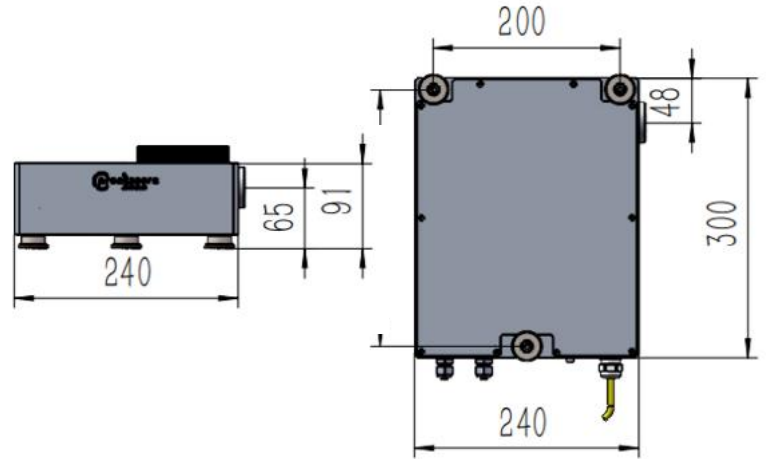
**Collimator size (Output power≤20W)**



**Laser head size (Output power≤50W)**




**Laser head size (Output power>50W)**



Shanghai Precilasers Technology Co., Ltd.  
 Floor 2, Building 2, No. 1918, Xupan Road, Jiading District, Shanghai  
 021-59160265

[www.precilasers.com](http://www.precilasers.com)    [info@precilasers.com](mailto:info@precilasers.com)



⚠ Laser Hazard

Visible or invisible laser radiation, avoid eye or skin exposure to direct, reflected or filtered radiation.  
**CLASS 4 Laser Products**

